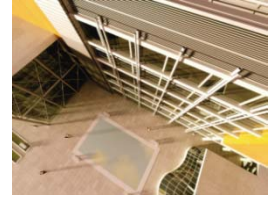


Revit® Architecture 2009 Certification Exam Guide



Preparation Guide for Revit Architecture 2009 Certified Associate and Revit Architecture 2009 Certified Professional Certification Exams

This guide is intended as a resource in your preparation for the exams to become Autodesk certified. It will help you understand the structure and content of the exam, and to develop a personal strategy to successfully pass the Revit Architecture 2009 Certified Associate and Certified Professional exams, and includes information on re-certification from Revit Architecture 2008 Certified User.

About Autodesk Professional Certification

Autodesk certifications are industry-recognized credentials that can help you succeed in your design career – providing benefits to both you and your employer. Autodesk certifications are a reliable validation of skills and knowledge, and can lead to accelerated professional development, improved productivity, and enhanced credibility.

Getting Certified

To earn Autodesk Certification, you must pass the required Autodesk Certification exams. Step through each of these areas to help ensure your success:

- Choose the Certification that's right for you: Choose the level and the Autodesk application that best applies to you. Understand the requirements for the Certification you want to earn.
- Assess your readiness and take a practice test: Take an assessment test to assess your knowledge of the product. And then take a practice test for the Professional-level exam to gain experience using the testing system.
- Get the training you need: AOTC courseware preparation guides, or take classes at an Autodesk Authorized Training Center (ATC®).
- Apply your training and practice your skills: Practice what you've learned to gain experience.
- Take the required exam: Register for your exam at an Autodesk Authorized Certification Center.

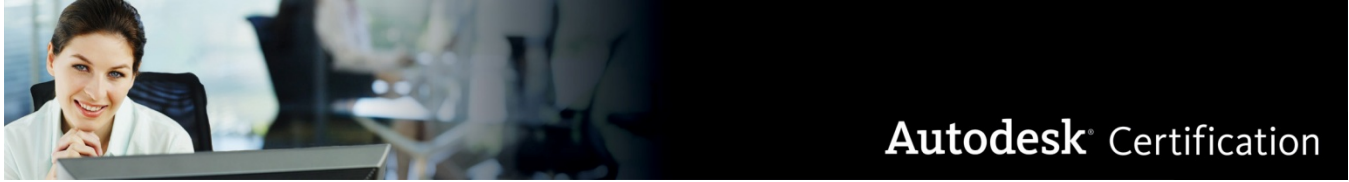
CONTENTS

Exam registration, purchasing and scheduling	2
Exam Preparation	2
Exam Summary	3
Exam Preparation Solutions	3
Important Test Taking Strategies	5
Exam Types and Sample Questions ...	6
Exam Sections and Objectives	8

Autodesk®
Authorized Certification Center

Autodesk certification exams are delivered at Autodesk Authorized Certification Centers. All exams are computer-delivered in a proctored environment. You can find the locations of Autodesk Certification Centers near you using the Center Search function on <http://autodesk.starttest.com>.

Autodesk®



Exam Registration, Purchase, and Scheduling

Information on purchasing and scheduling an Autodesk Certification exam can be found at Autodesk Online at <http://autodesk.starttest.com>.

When you participate in the Autodesk Certification Program you will be asked to create a profile in the Autodesk Online testing system, which includes creating a user name and password. You will be prompted to create this profile the first time you start a test using the Autodesk Online system. While creating your profile you will be asked to agree to Autodesk's Terms and Conditions.

During Your Exam

While taking the exam, you may not use calculators, books, or other electronic equipment. You may use scratch paper, but it will be collected from you when you finish your test. You may pause the test during delivery, and no time will be lost. The proctor will seat you and step you through the process of starting your test. They will also answer any questions you have about the testing process. They will not answer any questions about test questions.

Exam Preparation – Your Key to Success

Autodesk highly recommends using a variety of resources to prepare for certification exams. In all cases, you should start with the exam objectives to determine which tasks will be covered on the exams. Equally as important, actual hands-on experience is required. From there, we recommend that you choose the preparation option that best fits your needs. Details on Autodesk recommended preparation solutions are available in this guide.

During preparation, it is important that you review the exam objectives periodically to make sure that all of the material in the exam is covered in your choice of preparation methods. Please note that some material on the test may not be covered in your choice of preparation materials. This is why it is critical that you refer to the list of exam objectives during your course of study.

Exam Objectives

Review the exam objectives to see the complete listing of topics for the exam. Use this as your checklist to determine your weaknesses and areas on which you will want to focus more attention in your study and preparation.

Experience

Actual hands-on experience is a critical component in preparing for the exam. Direct application of the skills learned cannot be substituted by any one other learning resource. You must spend time using the product and applying the skills you have learned. Certification exams are looking to measure how well you know how to perform tasks, not how well you memorize features and functions. Wherever possible, we recommend the use of a Practice Exam to prepare for testing. This will allow you to become familiar exam testing interface and system.

Preparation Matters.

Even the most experienced users of Autodesk applications will benefit from focusing their study on the objectives outlined in this guide. Studies have shown that candidates who prepare using objectives and a variety of resources score better on certification exams.

Solid preparation, including regularly scheduled preparation time, along with your experience can equal success.

Recommended Experience Levels for Revit Architecture 2009 Certification Exams

Experience using an Autodesk application is a critical component of success in earning certification. Autodesk recommends a minimum level of experience using the application before attempting the exam. Note that even with the recommended level of experience, you should still use the exam objectives as a basis for your preparation. Even the most knowledgeable and experienced users of Autodesk applications will need to focus their study specifically on the exam objectives.

2009 Certified Associate exam

AOTC Essentials course (or equivalent) plus 100 hours of hands-on application

2009 Certified Professional exam

AOTC Essentials course (or equivalent) plus 400 hours of hands-on application

Looking to earn Revit Architecture 2009 Certified Professional?

Remember you must also pass the Revit Architecture 2009 Certified Associate exam. Take them in any order.

Revit Architecture 2009 Certified Associate Exam Summary Information

The Revit Architecture 2009 Certified Associate exam is an on-line examination consisting of 30 questions that assess your knowledge of the tools, features, and common tasks in Revit Architecture 2009. Question types include multiple choice, matching, and point and click (hotspot). The required passing score is 74%.

The exam has a one hour time limit (in some countries the time limit may be extended). At the conclusion of the exam, you will receive a comprehensive score report which includes summary information on the questions you missed and where you can find information on that area in the corresponding Autodesk Official Training Courseware (AOTC). Your score report remains available in your profile in the Autodesk Online system at <http://autodesk.starttest.com>. These results are confidential.

Revit Architecture 2009 Certified Professional Exam Summary Information

The Revit Architecture Professional Certification exam is a performance based test. Performance based testing is defined as testing by *doing*. That means that rather than answer questions about how you might accomplish a task, you actually perform the task. Performance based testing is widely accepted as a better way of ensuring you have the skills needed for the application, rather than just the ability to recall information.

The Revit Architecture 2009 Certified Professional exam is comprised of 20 questions. The exam requires you to use Revit Architecture 2009 to perform a task, and then answer a question about the task. The questions will ask you to input a numeric or text answer. More information on these types of questions, along with sample questions, can be found in this guide.. The required passing score is 85%.

To earn the credential of Revit Architecture Certified Professional, you must also pass the Revit Architecture Certified Associate exam. You can pass the exams in any order.

The exam has a 90 minute time limit (in some countries the time limit may be extended). At the conclusion of the exam, you will receive a comprehensive score report which includes summary information on the questions you missed and where you can find information on that area in the corresponding Autodesk Official Training Courseware (AOTC). Your score report remains available in your profile in the Autodesk Online system at <http://autodesk.starttest.com>. These results are confidential.

Re-certification from Revit Architecture 2008 Certified User

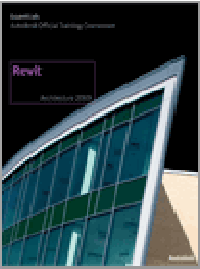
If you are an Revit Architecture 2008 Certified User you can update your certification to Revit Architecture 2009 Certified Professional by passing the Revit Architecture 2009 Certified Associate exam as illustrated below. This applies only to re-certification from 2008 to 2009. If you are certified on an earlier release, you will have to take both the Certified Associate and Certified Professional exams to earn 2009 Certified Professional certification.



Certification Preparation Solutions

Autodesk Assessment Tests

Autodesk assessment tests will help determine your general knowledge of the Autodesk application on which you are seeking certification. This will identify areas of knowledge that you should develop in order to prepare for the certification exam. 2009 Assessment tests consist of 50 to 60 questions that assess your knowledge of the tools, features, and common tasks in Revit Architecture 2009. At the completion of an Autodesk Assessment test you will receive a comprehensive score report that details the number of questions you missed with feedback on improving your performance in these areas. You will also be able to review the items you missed and their correct answers.



Autodesk Official Training Courseware (AOTC)

Autodesk publishes dozens of courseware titles every year designed to help users at all levels of expertise improve their productivity with Autodesk software. Courseware from Autodesk is the preferred classroom training material for Autodesk Authorized Training Centers. The same training materials are well-suited for self-paced, standalone learning. Students simulate real-world projects and work through hands-on, job-related exercises. Most titles include a trial version of the software.

The objectives in the Autodesk Certified Associate and Professional exams come directly from AOTC courseware. If you will be taking a professional level exam the test questions will use the drawings that are made available to you with the corresponding AOTC courseware. AOTC Courseware can be purchased from the Autodesk Store at <http://store.autodesk.com>, select Training Tools, and then Autodesk Courseware.

The recommend AOTC Courseware for the Associate and Professional exam is [Revit Architecture 2009: Essentials AOTC](#). You can purchase the courseware at <http://store.autodesk.com> or contact your local ATC.

ATC® Instructor-Led Courses

Every day, thousands of customers are taught how to realize their ideas, *faster*, with Autodesk software. You can perform smarter and better with Autodesk software products when you turn to an Authorized Training Center. An ATC is your best source for Autodesk-authorized classes, tailored to meet the needs and challenges facing today's design professionals, and to help you prepare for your Autodesk Certification exams.

The Autodesk Authorized Training Center (ATC®) program is a global network of professional training providers offering a broad range of learning resources. In many areas, you can earn continuing education credits while building your toolset. Visit the online ATC locator at www.autodesk.com/atc.

Autodesk
Authorized Training Center

Great instructors, quiet classrooms, and personally dedicated computers. ATC sites get you up to speed quickly—using sample projects and exercises that emphasize real-world, practical applications. It's the best way to learn how to use Autodesk products and solutions. ATC sites offer all the courses you need in one place. Instructors cover a wide range of Autodesk products, including the latest software releases, for users at all levels.

Revit Architecture 2009 Professional Level Practice Tests

In order to allow you to gain experience with the Professional level test and the testing system, Autodesk has developed a practice test that simulates the actual 2009 Certified Professional certification exam. It is a performance based exam, with the same number of questions as the actual exam. It requires the use of the specific Autodesk application in order to successfully answer the questions. This test can be taken in an Autodesk Certification Center or from your own computer.

Most AOTC Courseware Guides come with a trial version of the application. You can use this version to practice, and to take a Professional level practice test. Find more information at <http://store.autodesk.com>.

If you do not have the required Autodesk application on your computer, you will not be able to take the Professional Level Practice test from that computer. We recommend you contact an Autodesk Certification Center in your area to schedule a Professional Level Practice test where the application is available. In some cases Autodesk makes available evaluation copies of Autodesk applications, and these can be downloaded and used to prepare for the exam. For information on which products may be available for evaluation, visit the Autodesk product pages at <http://www.autodesk.com/products>, and click “Alphabetical Product List” to see the listing of products with “Free Trial” available. Be sure to read the terms and conditions for using these trail products.

Other Learning Resources

Other learning resources available from Autodesk include online tutorials, how-to articles, and tips on using features in Autodesk applications. For information on access to these materials visit the Autodesk product pages at <http://www.autodesk.com/products>, and select the Autodesk application on which you are seeking Certification. Each product page contains links to other preparation products that can add to your knowledge.

Autodesk Communities

Autodesk Communities can be a great resource for seeking advice on specific exam objectives. These online discussion forums allow you to interact with your peers and ask technical questions. You can find a list of Autodesk Communities at <http://www.autodesk.com> and then selecting “Communities”.

Test Taking Strategies

Each time you take a test, whether it is an assessment test, practice test, or the Certification exam, you will benefit from using proven test taking strategies to increase your odds of success. Some of these strategies are general, but some are very specific to the type of exam you may be taking.

Time Management

Because Autodesk certification exams are timed, management of time during testing is an integral part of a successful outcome. Autodesk recommends that you use a strategy that maximizes the time available so that you will have time to answer each exam question. The Autodesk Online test system allows you to mark questions for review and return to them later. This allows you to work through the test questions that are easy or quick for you, and mark the more difficult questions to return to later if time permits. It is important to not allow yourself to become caught up in one specific exam question and waste time.

Thoroughly Read Exam Questions and Instructions

Autodesk exams are testing specific objectives so it is critical that you understand the questions before you answer them. Additionally, before each test you are presented with a tutorial. This tutorial contains information on using the Autodesk Online testing system as well as critical information such as location of files, instructions for answering questions, and general test information.

Test Taking Strategies for Beginners

Good general test taking strategies that may help you perform better include:

- Be sure you are rested and do not test while hungry.
- If you are travelling to a Certification Center, leave early enough so you will not feel rushed.
- Breathe and relax during your test.
- Take a break if you need to. The system will allow you to pause without losing any time.
- Do a short focused review before the test.

Associate Level Exam Question Types

Associate level exams are made up of a variety of question types which are detailed below. During the tutorial before your test, you will be given information on these question types as well as the opportunity to practice answering them.

- One best answer multiple choice – the traditional, most familiar test question type which requires you select the single best answer.
- Select all that apply – these questions consist of a question followed by multiple responses in which you select all options that apply.
- Point and click – these questions consist of a question followed by a graphic. The correct answer is selected by clicking on the correct area of the graphic.
- Matching format – these questions consist of a list of questions in the left column that are matched to the correct question in the column on the right. To match questions you click a question in the list on the left and drag the question to the corresponding list on the right column.

Professional Level Exam Question Types

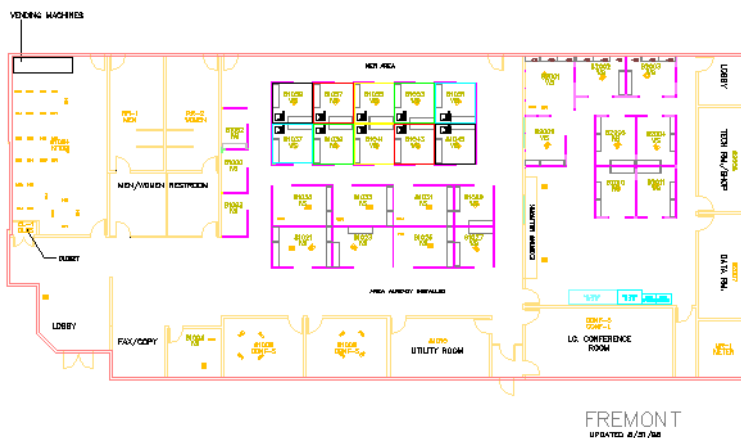
Professional level exam questions are performance based and require the use of the Autodesk application to derive the correct answer. Each question requires you to use the Autodesk application to create or modify a data file, and then to type your answer into an input box on the screen. The answer you enter will either be a text entry or a numeric value.

If you are entering a word, phrase, or numeric value, enter the answer exactly as it appears in your data file or in the Autodesk application. If you are entering a numeric value, you may copy and paste from the application. If you are testing in a country that uses a comma in numeric measurements, the testing system will accept the comma as well as the decimal point.

Entering a Text Answer

This type of question presents a scenario that required you to open a data file and perform a common task. For a question that requires a text answer, enter the text exactly as it appears on the screen.

Example



1. Open the file named **Displaying Objects.dwg**. Use the zoom and pan features to display room number **82007**.

This room is named:



Tip

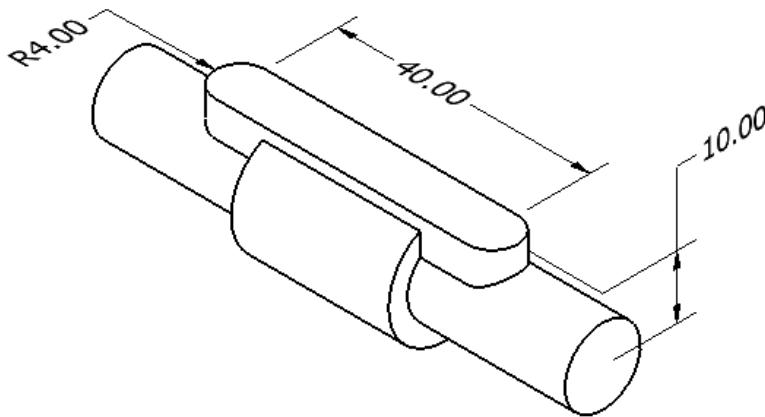
When you open the data file and then zoom and pan to display this portion of the drawing, the name of the room appears as **DATA RM.**, as upper case letters with a period at the end of the name.

In this case you would enter the answer as:

Entering a Numeric Answer

This type of question presents a scenario that required you to open a data file, modify the object, and identify a value. For a question that requires a numeric answer, enter the value exactly as it appears on the screen.

Example



Open file **Control-Valve.ipt**. Follow these steps.

1. Create an offset a work plane 10 millimeters from the XY origin plane.
2. Create the slot feature as shown. The slot is centered in middle of the existing features.

What is the part's volume in cubic millimeters?



Tip

When you open the data file, modify the part, and then determine the volume, the value displayed is **13033.216**. The value displays to 3 places to the right of the decimal.

In this case you would enter the answer as:

Additional Tips for Professional Level Exams

- Read the question carefully so that you fully understand the performance task.
- The exam has a time limit. If you encounter a question you cannot answer in a reasonable amount of time, use the Save As feature to save a copy of the data file, and mark the question for review. When you review the question, open your copy of the data file and complete the performance task. After you verify that you have entered the answer correctly, unmark the question so it no longer appears as marked for review.
- Use the Review screen to ensure you have reviewed all the questions you may have marked for review. When you are confident that you have answered all questions, end the examination to submit your answers for scoring. You will receive a score report once you have submitted your answers.

Revit Architecture 2009 Certified Associate Exam Sections and Objectives

The Revit Architecture 2009 Certified Associate examination includes 11 sections and 30 questions. Each section covers specific objectives. The recommend AOTC Courseware for this exam is [Revit Architecture 2009: Essentials AOTC](#). You can purchase this guide at <http://store.autodesk.com> or from your local ATC. Schools can also purchase from an Autodesk Academic Value Added Reseller at <http://www.autodesk.com/education> and select “locate a reseller”.

Section	Questions	Exam Objectives	AOTC Chapter
Building Information Modeling	1	Describe building information modeling	Chapter 1: Building Information Modeling
Revit Architecture Basics	3	Identify the different parts of the Revit Architecture user interface. Describe the different types of building elements. Describe project templates.	Chapter 2: Revit Architecture Basics
Starting a Design	1	Describe levels and their uses	Chapter 3: Starting a Design
The Basics of the Building Model	4	Describe wall properties. Describe compound walls. Describe the Tools toolbar. State the recommended practices for working with doors. State the recommend practices for adding and modifying windows	Chapter 4: The Basics of the Building Model
Loading Additional Building Components	1	Load component families and add components in a project.	Chapter 5: Loading Additional Building Components
Viewing the Building Model	3	Describe view properties. Describe object visibility settings. Describe the characteristics of a section view.	Chapter 6: Viewing the Building Model
Using Dimensions and Constraints	2	State the recommended practices for working with dimensions. Describe constraints and the types of constraints.	Chapter 7: Using Dimensions and Constraints
Developing the Building Model	5	Describe floors. Add and modify ceilings and ceiling components. Describe roofs. Describe curtain grids and mullions. Create stairs and railings.	Chapter 8: Developing the Building Model

Detailing and Drafting	3	Describe callouts. Describe tags. Create detail views.	Chapter 9: Detailing and Drafting
Construction Documentation	4	Identify the stages in the process of reusing drafting views. Modify the fields that appear in schedules. Describe rooms. Describe legends.	Chapter 10: Construction Documentation
Presenting the Building Model	2	Create a rendering. Describe sun and shadow settings	Chapter 11: Presenting the Building Model

Revit Architecture 2009 Certified Professional Exam Sections and Objectives

The Revit Architecture 2009 Certified Associate examination includes 9 sections and 20 questions. Each section covers specific objectives. You must also pass the Revit Architecture 2009 Certified Associate exam to earn the Revit Architecture 2009 Certified Professional title. The recommend AOTC Courseware for this exam is [Revit Architecture 2009: Essentials AOTC](#). You can purchase this guide at <http://store.autodesk.com> or from your local ATC. Schools can also purchase from an Autodesk Academic Value Added Reseller at <http://www.autodesk.com/education> and select "locate a reseller".

Section	Questions	Exam Objectives	AOTC Chapter
Revit Architecture Basics	2	Explore the Revit Architecture User Interface Create and Modify Levels	Chapter 2: Revit Architecture Basics
The Basics of the Building Model	3	Add and Modify Walls Create Compound and Vertically Compound Walls Add Doors	Chapter 4: The Basics of the Building Model
Loading Additional Building Components	1	Load Component Families and Add Components	Chapter 5: Loading Additional Building Components
Viewing the Building Model	2	Control Object Visibility Create and Modify Section and Elevation Views	Chapter 6: Viewing the Building Model
Using Dimensions and Constraints	2	Work with Dimensions Apply Constraints	Chapter 7: Using Dimensions and Constraints

Developing the Building Model	4	Create and Modify Floors Add and Modify Ceilings and Ceiling Components Add and Modify Roofs Create and Modify Stairs and Railings	Chapter 8: Developing the Building Model
Detailing and Drafting	3	Create a Callout View of a Section Work with Text and Tags Add Construction Details to a Detail View	Chapter 9: Detailing and Drafting
Construction Documentation	2	Create a Door Hardware Key Schedule and a Door Schedule Create a Room and Room Schedule	Chapter 10: Construction Documentation
Presenting the Building Model	1	Use Sun and Shadow Settings	Chapter 11: Presenting the Building Model

www.autodesk.com/certification
 email: certification@autodesk.com

Autodesk and AutoCAD Revit Architecture are registered trademarks or trademarks of Autodesk, Inc., in the USA and/or other countries. All other brand names, product names, or trademarks belong to their respective holders. Autodesk reserves the right to alter product offerings and specifications at any time without notice, and is not responsible for typographical or graphical errors that may appear in this document. 2008 Autodesk, Inc. All rights reserved.

