

## Autodesk® Revit MEP Intermediate

### Brief Synopsis of Class Contents:

This live, online class builds on the concepts and skills introduced in the Autodesk Revit® MEP Fundamentals class. The student will learn more of the Revit workflow, project setup and the Family editor. In addition the student will learn about collaboration and file sharing. This class assumes that the student has either taken the Fundamentals class and/or has used Revit MEP to a degree that he is comfortable and current with its use.

### Learning Objectives:

- Learn the importance and value of setting up a project template to consistently control standards and pre-populate projects with needed content.
- Learn Revit Workflow when collaborating with other disciplines.
- Discover best practices for Project Setup.
- Learn how to accommodate for renovation work or phases on a project.
- Learn more advanced techniques and tools to allow for exploration of Design Options.
- Understand core features in creating family content inside of Revit MEP.

### Courseware:

Mastering Autodesk Revit MEP® by Don Bokmiller

### Number of Days:

3 Half Day Sessions

### Continuing Education Hours:

12 hours

### Who Should Attend:

Experienced users of Revit MEP or those who have recently taken the Revit MEP Fundamentals class.

### Prerequisites:

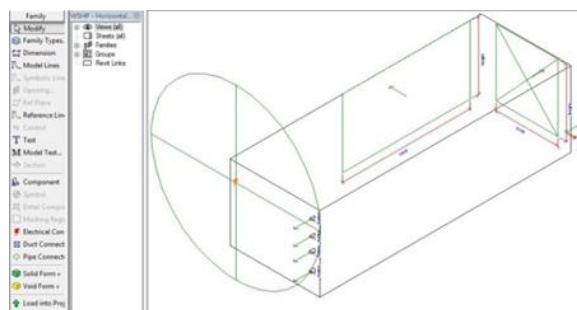
Mastery of content of Revit MEP Fundamentals class or equivalent work experience.

### System and Software Requirements:

<http://www.asti.com/LiveLab-Learning-amp-Training/LiveLab-System-Requirements>

### FAQs and Cancellation Policy:

<http://www.asti.com/LiveLab-Learning-amp-Training/LiveLab-FAQS>



## Class Outline and Topics:

### Template Setup

- Applying CAD Standards
- Using Project/Shared Parameters
- Title Blocks and Borders
- Populating the Template

### Step-by-step Project Setup

- Evaluating the Architectural model
- Transferring Project Standards
- Linking, Copy-Monitor
- Generating Views
- Project / Shared Parameters
- Worksets / Project Central Model
- Project Workflow

### Product Management

- Keyboard Shortcuts
- Shared Parameters
- Locating libraries and training files
- Journal files

### Project Phasing

- View Phase Properties / Element Phase Properties
- Phase Properties: Phases, Phase Filters, Graphic Overrides
- Element States: Existing, New, Demolished, Temporary
- Phase mapping across Linked files
- Phase specific schedules

### Design Options

- Option Sets & Options
- Primary & Secondary Options
- Visibility Graphics for Design Options
- Design Options visibility across Linked files
- Design Options specific schedules

### Family Editor 2D

- Tags and Labels
- Fonts
- Titleblock and Border
- Hyper Links to Data Sheets
- Ensure that 2D symbols shows on angled ceilings

### Family Editor 3D

- Solids / Voids
- Categories / Parameters
- Loading – Saving
- Hosted Vs. Non-hosted

### Q & A

- Time Permitting

